

100% Electric



** SHOWN WITH OPTIONAL 2 OUTRIGGERS AND A DOZER BLADE

T409E

MATERIAL HANDLER

50,000 LBS. | 33-FOOT REACH | 16'5" CAB ELEVATION

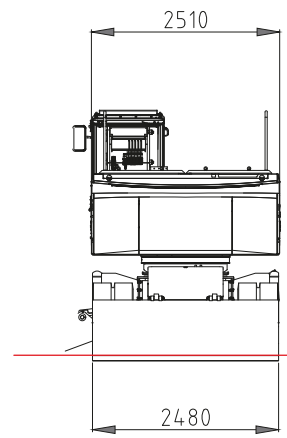
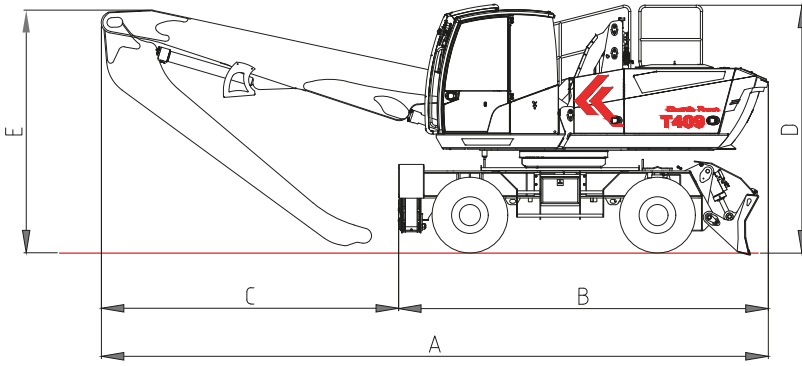
MOTOR

- AC MOTOR 1X50kW
- 2 BATTERIES - 2X1240Ah -80V
- 7-9 HOURS OR OPERATION
- 4 OPERATING SPEEDS

HYDRAULIC

- VARIABLE DISPLACEMENT PUMP
- LOAD SENSING WITH PRESSURE CUT OFF
- 61 GALLON TANK CAPACITY

SIERRA[®]



4 WORKING SPEEDS

1. **ECO** – LOW ENERGY CONSUMPTION, HIGH PRECISION
2. **NORMAL** – BALANCED PERFORMANCE AND EFFICIENCY.
3. **DYNAMIC** – ACTIVE OPERATION WITH BALANCED ENERGY USE.
4. **POWER** – MAXIMUM PERFORMANCE, FULL MACHINE CAPACITY.

STEERING

- JOYSTICK STEERING

TRAVEL SPEED

- 1ST GEAR - 2.5 MPH
- 2ND GEAR - 6 MPH

TIRES

- SUPER ELASTIC, PUNCTURE PROOF, SOLID RUBBER TIRES

FEATURES

BOOM

- 33' REACH

CAB SPECIFICATIONS

OPERATOR CABIN

- SOUNDPROOF CAB WITH A/C, HEATER AND HYDRAULIC LIFT

SEAT

- DRIVER'S SEAT WITH ADJUSTMENTS FOR SUSPENSION, SEATING POSITION, BACKREST TILTING, ARMREST ADJUSTMENT, & LUMBAR SUPPORT

WEIGHT

- OPERATING WEIGHT: 50,000 LBS.



SEE MORE PHOTOS, SPECS, AND INFO AT SIERRAINTL.COM

*Sierra reserves the right to change specifications without notice.
Rev. August 2024

SIERRA®

SIERRAINTL.COM | PH: (661) 327-7073 | USA: (800) 343-8503
1620 E. BRUNDAGE LANE, BAKERSFIELD, CA 93307